
FRANCE

P5G-2E
P5CG-2E

Smart™ **Series**

P5CG-2E
High Power
Factor

P5G-2E
Normal Power
Factor



- ◆ **Primary Wiring Requirements of a Standard Transformer** - with the added safety of Secondary Ground Fault Protection.
- ◆ **Bypass Feature** - For easy troubleshooting of ground faults and primary wiring problems. Overrides the SCGFP for up to 30 minutes.
- ◆ **Diagnostic Circuits** - “LED” indicates the reason for service, allowing for quick, easy troubleshooting.
- ◆ **User Friendly** - Adapts to any grounding situation.
- ◆ **Secondary Circuit Ground Fault Protection** - (SCGFP) Disables unit upon detection of arcs to ground in compliance with **UL2161** and **NEC** requirements.
- ◆ ***Can be used in flashing/dimming applications.**



www.franceformer.com

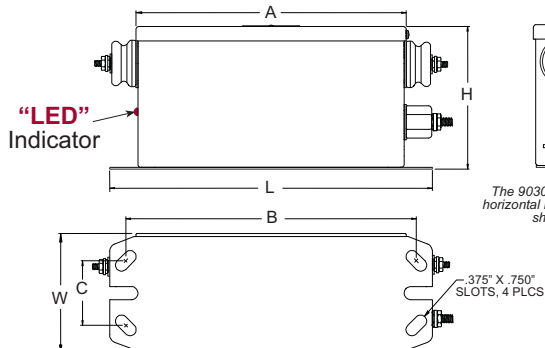
2268 Fairview Blvd PO Box 300 Fairview, TN 37062 voice 800-753-2753 fax 615-799-3199

NORMAL POWER FACTOR

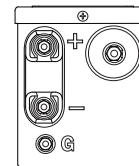
| Catalog Number | VAC | Hz | Secondary | | Primary VA | Input Amps | Wt. Lbs. | Case Dimensions | | | | | |
|----------------|-----|----|-----------|----|------------|------------|----------|-----------------|-------|-------|--------|--------|-----|
| | | | Volts | mA | | | | L | W | H | A | B | C |
| 15030 P5G-2E | 120 | 60 | 15000 | 30 | 435 | 3.60 | 21 | 11.25 | 4.656 | 5.205 | 9.203 | 10.125 | 3.0 |
| 12030 P5G-2E | 120 | 60 | 12000 | 30 | 380 | 3.15 | 18 | 11.25 | 4.656 | 5.205 | 9.203 | 10.125 | 3.0 |
| 10530 P5G-2E | 120 | 60 | 10500 | 30 | 310 | 2.55 | 18 | 11.25 | 4.656 | 5.205 | 9.203 | 10.125 | 3.0 |
| 9030 P5G-2E | 120 | 60 | 9000 | 30 | 285 | 2.35 | 13 | 10.00 | 3.700 | 4.890 | 8.375 | 9.000 | 2.0 |
| 7530 P5G-2E | 120 | 60 | 7500 | 30 | 250 | 2.10 | 12 | 10.00 | 3.700 | 4.890 | 8.375 | 9.000 | 2.0 |
| 6030 P5G-2E | 120 | 60 | 6000 | 30 | 200 | 1.65 | 12 | 10.00 | 3.700 | 4.890 | 8.375 | 9.000 | 2.0 |
| 5030 P5G-2E | 120 | 60 | 5000 | 30 | 170 | 1.40 | 12 | 10.00 | 3.700 | 4.890 | 8.375 | 9.000 | 2.0 |
| 4030 P5G-2E | 120 | 60 | 4000 | 30 | 140 | 1.15 | 11 | 10.00 | 3.700 | 4.890 | 8.375 | 9.000 | 2.0 |
| 15060 P5G-2E | 120 | 60 | 15000 | 60 | 900 | 7.50 | 39 | 13.00 | 5.375 | 6.200 | 10.875 | 11.875 | 3.0 |
| 12060 P5G-2E | 120 | 60 | 12000 | 60 | 720 | 6.00 | 37 | 13.00 | 5.375 | 6.200 | 10.875 | 11.875 | 3.0 |
| 9060 P5G-2E | 120 | 60 | 9000 | 60 | 565 | 4.70 | 24 | 11.25 | 4.656 | 5.205 | 9.203 | 10.125 | 3.0 |
| 7560 P5G-2E | 120 | 60 | 7500 | 60 | 460 | 3.85 | 21 | 11.25 | 4.656 | 5.205 | 9.203 | 10.125 | 3.0 |
| 6060 P5G-2E | 120 | 60 | 6000 | 60 | 370 | 3.10 | 19 | 11.25 | 4.656 | 5.205 | 9.203 | 10.125 | 3.0 |
| 5060 P5G-2E | 120 | 60 | 5000 | 60 | 310 | 2.60 | 18 | 11.25 | 4.656 | 5.205 | 9.203 | 10.125 | 3.0 |
| 4060 P5G-2E | 120 | 60 | 4000 | 60 | 265 | 2.20 | 13 | 10.00 | 3.700 | 4.890 | 8.375 | 9.000 | 2.0 |
| 15030 P5G-2E | 277 | 60 | 15000 | 30 | 425 | 1.55 | 21 | 11.25 | 4.656 | 5.205 | 9.203 | 10.125 | 3.0 |
| 12030 P5G-2E | 277 | 60 | 12000 | 30 | 385 | 1.40 | 19 | 11.25 | 4.656 | 5.205 | 9.203 | 10.125 | 3.0 |
| 10530 P5G-2E | 277 | 60 | 10500 | 30 | 310 | 1.15 | 19 | 11.25 | 4.656 | 5.205 | 9.203 | 10.125 | 3.0 |
| 9030 P5G-2E | 277 | 60 | 9000 | 30 | 275 | 1.00 | 13 | 10.00 | 3.700 | 4.890 | 8.375 | 9.000 | 2.0 |
| 7530 P5G-2E | 277 | 60 | 7500 | 30 | 235 | .85 | 12 | 10.00 | 3.700 | 4.890 | 8.375 | 9.000 | 2.0 |
| 6030 P5G-2E | 277 | 60 | 6000 | 30 | 190 | .70 | 12 | 10.00 | 3.700 | 4.890 | 8.375 | 9.000 | 2.0 |
| 5030 P5G-2E | 277 | 60 | 5000 | 30 | 160 | .60 | 12 | 10.00 | 3.700 | 4.890 | 8.375 | 9.000 | 2.0 |
| 4030 P5G-2E | 277 | 60 | 4000 | 30 | 130 | .50 | 11 | 10.00 | 3.700 | 4.890 | 8.375 | 9.000 | 2.0 |
| 15060 P5G-2E | 277 | 60 | 15000 | 60 | 940 | 3.40 | 39 | 13.00 | 5.375 | 6.200 | 10.875 | 11.875 | 3.0 |
| 12060 P5G-2E | 277 | 60 | 12000 | 60 | 750 | 2.70 | 37 | 13.00 | 5.375 | 6.200 | 10.875 | 11.875 | 3.0 |
| 9060 P5G-2E | 277 | 60 | 9000 | 60 | 560 | 2.05 | 24 | 11.25 | 4.656 | 5.205 | 9.203 | 10.125 | 3.0 |
| 7560 P5G-2E | 277 | 60 | 7500 | 60 | 460 | 1.65 | 21 | 11.25 | 4.656 | 5.205 | 9.203 | 10.125 | 3.0 |
| 6060 P5G-2E | 277 | 60 | 6000 | 60 | 385 | 1.41 | 20 | 11.25 | 4.656 | 5.205 | 9.203 | 10.125 | 3.0 |
| 5060 P5G-2E | 277 | 60 | 5000 | 60 | 330 | 1.20 | 19 | 11.25 | 4.656 | 5.205 | 9.203 | 10.125 | 3.0 |
| 4060 P5G-2E | 277 | 60 | 4000 | 60 | 240 | 0.87 | 13 | 10.00 | 3.700 | 4.890 | 8.375 | 9.000 | 2.0 |

HIGH POWER FACTOR

| Catalog Number | VAC | Hz | Secondary | | Primary VA | Input Amps | Wt. Lbs. | Case Dimensions | | | | | |
|----------------|-----|----|-----------|----|------------|------------|----------|-----------------|-------|-------|--------|--------|-----|
| | | | Volts | mA | | | | L | W | H | A | B | C |
| 15030 P5CG-2E | 120 | 60 | 15000 | 30 | 240 | 2.00 | 26 | 11.25 | 4.656 | 6.062 | 9.203 | 10.125 | 3.0 |
| 12030 P5CG-2E | 120 | 60 | 12000 | 30 | 190 | 1.60 | 25 | 11.25 | 4.656 | 6.062 | 9.203 | 10.125 | 3.0 |
| 10530 P5CG-2E | 120 | 60 | 10500 | 30 | 170 | 1.40 | 21 | 11.25 | 4.150 | 5.580 | 9.203 | 10.125 | 3.0 |
| 9030 P5CG-2E | 120 | 60 | 9000 | 30 | 145 | 1.20 | 19 | 11.25 | 4.150 | 5.580 | 9.203 | 10.125 | 3.0 |
| 7530 P5CG-2E | 120 | 60 | 7500 | 30 | 120 | 1.00 | 19 | 11.25 | 4.150 | 5.580 | 9.203 | 10.125 | 3.0 |
| 15060 P5CG-2E | 120 | 60 | 15000 | 60 | 495 | 4.15 | 39 | 13.00 | 5.375 | 6.200 | 10.875 | 11.875 | 3.0 |
| 12060 P5CG-2E | 120 | 60 | 12000 | 60 | 400 | 3.35 | 37 | 13.00 | 5.375 | 6.200 | 10.875 | 11.875 | 3.0 |
| 9060 P5CG-2E | 120 | 60 | 9000 | 60 | 300 | 2.50 | 26 | 11.25 | 4.656 | 6.062 | 9.203 | 10.125 | 3.0 |
| 7560 P5CG-2E | 120 | 60 | 7500 | 60 | 240 | 2.00 | 26 | 11.25 | 4.656 | 6.062 | 9.203 | 10.125 | 3.0 |
| 6060 P5CG-2E | 120 | 60 | 6000 | 60 | 190 | 1.60 | 26 | 11.25 | 4.656 | 6.062 | 9.203 | 10.125 | 3.0 |
| 5060 P5CG-2E | 120 | 60 | 5000 | 60 | 170 | 1.40 | 21 | 11.25 | 4.150 | 5.580 | 9.203 | 10.125 | 3.0 |
| 4060 P5CG-2E | 120 | 60 | 4000 | 60 | 145 | 1.20 | 21 | 11.25 | 4.150 | 5.580 | 9.203 | 10.125 | 3.0 |



The 9030 P5G-2E & 7530 P5G-2E has horizontal mounting of primary bushing as shown in diagram above.



This end view of primary bushing is applicable to all units except the 9030 P5G-2E & 7530 P5G-2E.

- * UL does not have listing requirements for transformers that are remotely dimmed or flashed.
- * High Power Factor Models may not be dimmed.